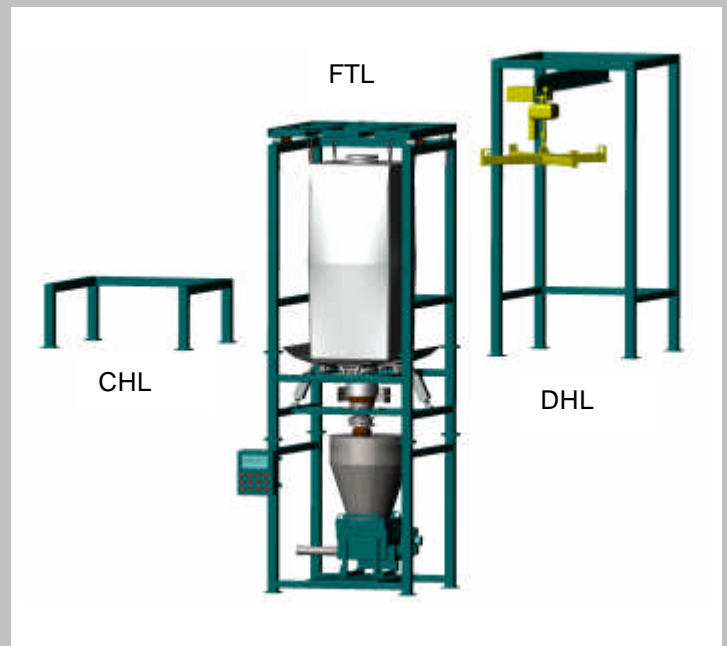


SacMaster - The Big Bag Discharge Station

- Robust self-supporting structure
- Modular construction
- Integrated PosiFlow bag agitation system
- Dust-free docking station with inflating clamp
- Construction designed to integrate a Schenck MechaTron feeder
- Hoist or fork-truck module for Big Bag positioning
- Explosion proof version available



Application

- Discharge of Big Bags and containers
- Innovative docking system with inflating clamp for dust-free discharge
- Bag agitation system with controlled paddle movements (PosiFlow) depending on filling level
- Easy-to-operate pneumatic control

Equipment

Modular System:

- Modular system to meet varying process requirements
- Optional base module with feeder platform for the use of a MechaTron feeder

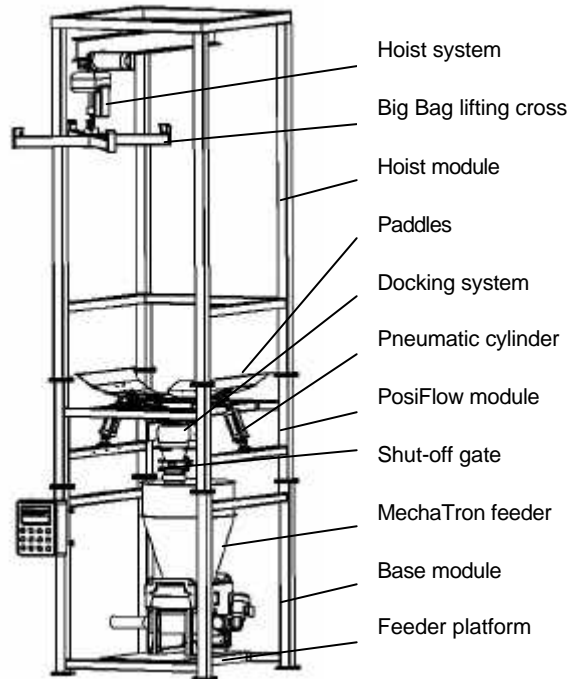
- Paddle discharge module for complete emptying of Big Bags
- Optionally equipped with iris valve, rotary valve or slide gate for control of material flow
- Fork-truck module FTL for bag placement with the use of a lifting frame
- Hoist module DHL with chain train (manual or automatic) equipped with lifting cross
- Positioning module CHL for bag placement using a crane at site equipped with lifting cross

Function

- Big Bag discharge
- Container discharge
- Hoist / fork-truck / positioning module
- Bag agitation via paddles
- Easy handling
- Bag weight up to 2000 kg
- 1 m, 1.5 m or 2 m Big Bag heights, 1.4 m max. edge length
- Suitable for use in hazardous areas
- Prepared for gravimetric and volumetric feeding

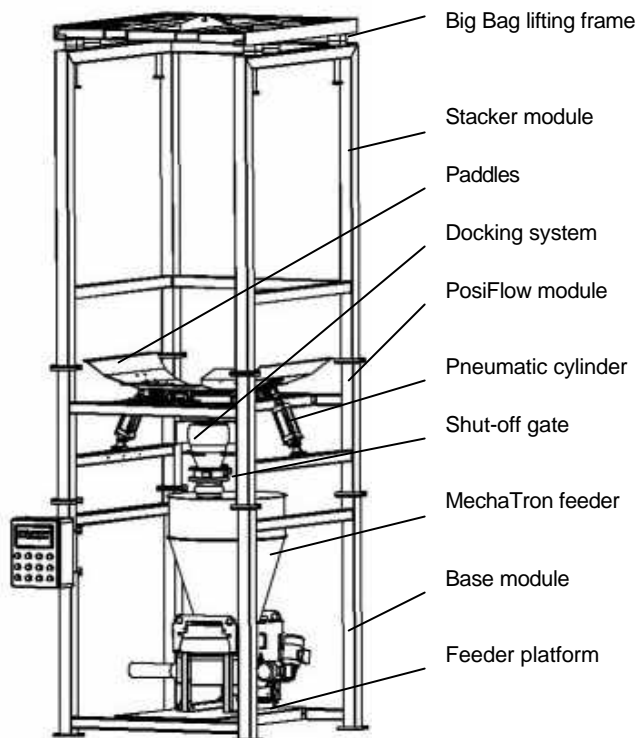
SacMaster, DHL Model

Big Bag discharge station with integrated hoist system



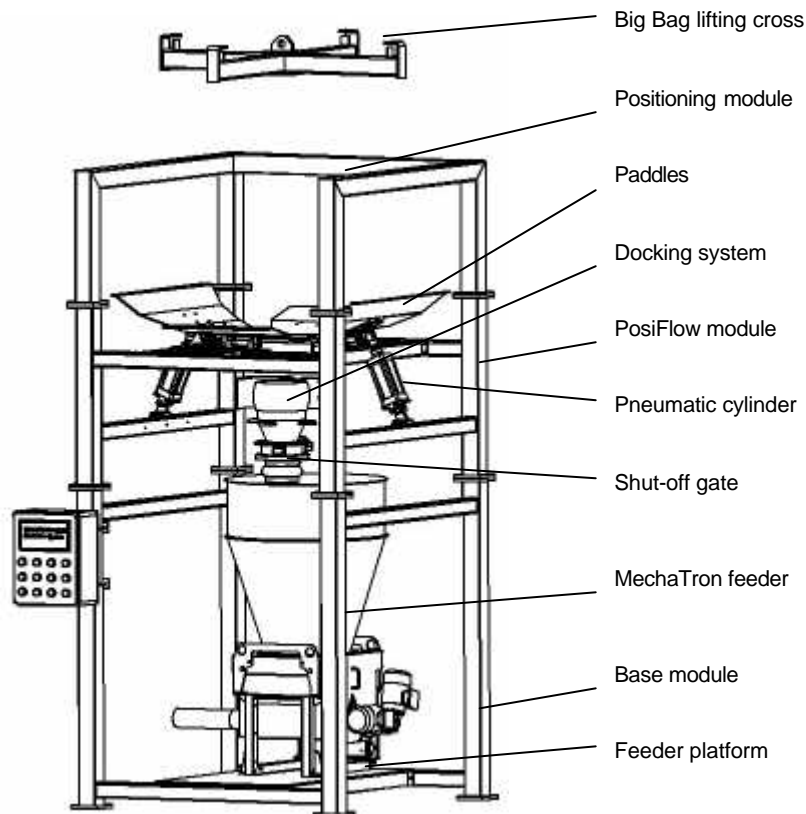
SacMaster, FTL Model

Big Bag discharge station with lifting frame for Big Bag placement using forklift truck. Optional pneumatic bellows cylinders tighten the Big Bag in discharged state.



SacMaster, CHL Model

Big Bag discharge station with lifting cross for Big Bag placement into positioning frame using a hoist existing at site.

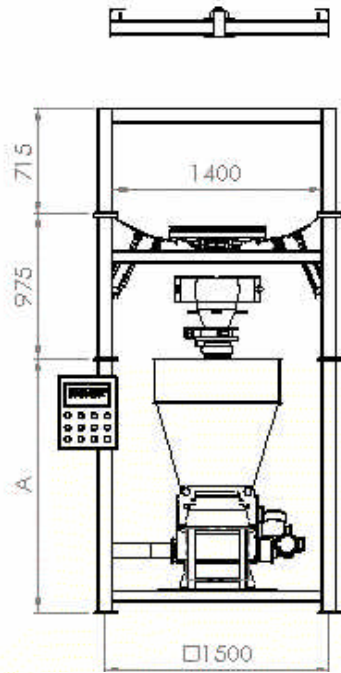


Technical Data

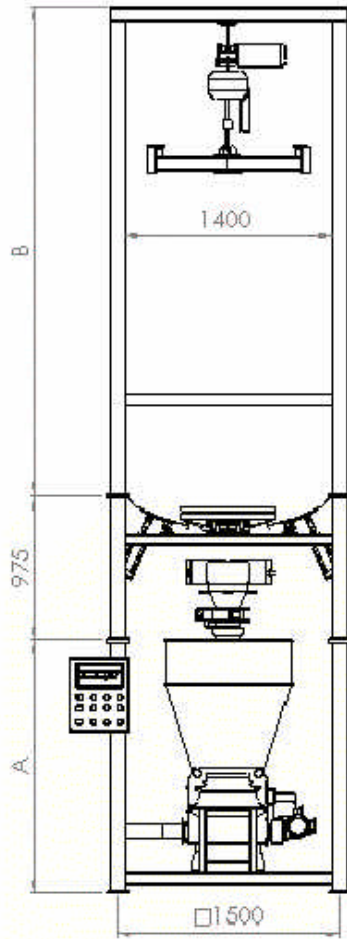
Barrels	Big Bags of 1.0 m – 2.0 m height and max. 1.4 m width
Transport	Forklift truck Hoist User crane
Bag agitation	Paddling movement as a function of fill weight
Feeding	Volumetric or gravimetric feeding possible
Material	Contact parts of stainless steel, residual parts St-37, alternatively stainless steel V2A, V4A
Maximum weight	2000 kg
Compressed air connection	G ½ with 4-6 bar, dust- and oil-free

Dimensions:

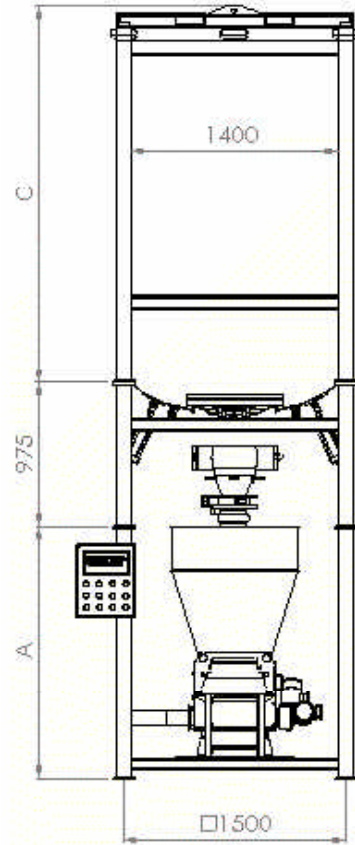
SacMaster – CHL:



SacMaster – DHL:



SacMaster – FTL:



MechaTron Feeder	Size "A"
Low Range 30L	1105 mm
Low Range 65L	1105 mm
Low Range 83L	1105 mm
Mid Range 75L	1105 mm
Mid Range 210L	1405 mm
Mid Range 380L	1715 mm

Big Bag	Size "B"
1.0 m	2315 mm
1.5 m	2815 mm
2.0 m	3315 mm

FTL Module with bellows cylinder in extended state	
Big Bag	Size "C"
1.0 m	1717 mm
1.5 m	2217 mm
2.0 m	2717 mm
FTL Module without bellows cylinder	
Big Bag	Size "C"
1.0 m	1467 mm
1.5 m	1967 mm
2.0 m	2467 mm



SCHENCK PROCESS GmbH D-64273 Darmstadt
 Measuring and Process Systems
 Tel.: +49 (0) 61 51 / 32-10 28 ? Fax: +49 (0) 61 51 / 32-11 72
 E-Mail: sales2.process@schenck.net
 Internet: <http://www.schenck-process.net>